

BENEFIT FROM THE ADVANTAGES OF DATRON'S BALANCED SINGLE FLUTE END MILLS

Reduced costs and increased efficiency

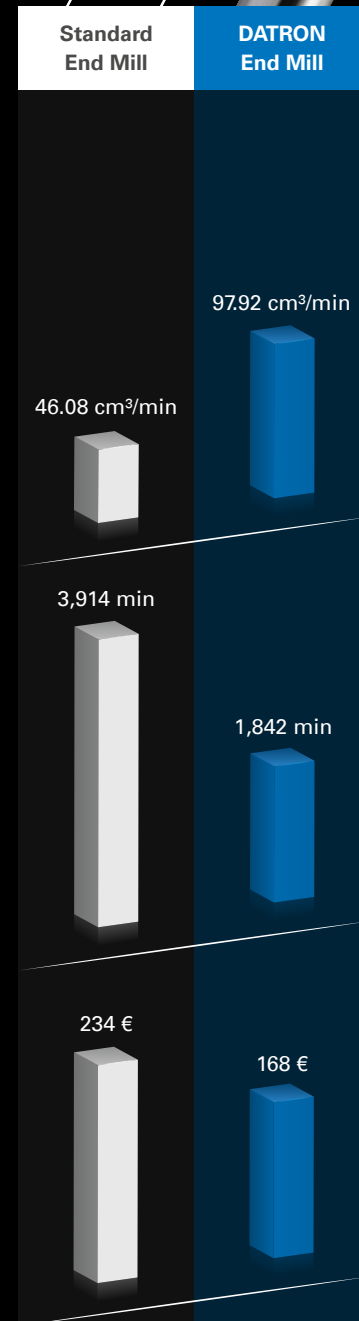


	Standard End Mill	DATRON End Mill	
Material removal rate*			
End mill diameter	8.00	8.00	mm
Number of flutes	1	1	z
Cutting speed	603	855	m/min
Speed	24,000	34,000	1/min
Tooth feed	0.16	0.18	mm
Feed speed	3840	6120	mm/min
Cutting depth	1.50	2.00	mm
Cutting width	8.00	8.00	mm
Material removal rate	46.08	97.92	cm ³ /min

	Standard End Mill	DATRON End Mill	
Total running time*			
Total number of units/component	560	560	pcs.
Machining volumes/piece	322	322	cm ³
Total volume	180,320	180,320	cm ³
Machining time/piece	6.99	3.29	min
Total running time	3.914	1.842	min

	Standard End Mill	DATRON End Mill	
Tool Costs*			
Durability of the tool	438	492	min
Tool requirements	9	4	pcs
Cost per tool	26	42	€
Tool Costs	234	168	€

* Data collection through testing with DATRON CNC milling machines under laboratory conditions



PLACE YOUR ORDER NOW:



In our Online-Shop: www.datronshop.de

For customers from Germany only.



By E-Mail: tools@datron.de



Order Hotline: +49 (0)6151-1419-111

Tools Consultancy: +49 (0)6151-1419-480



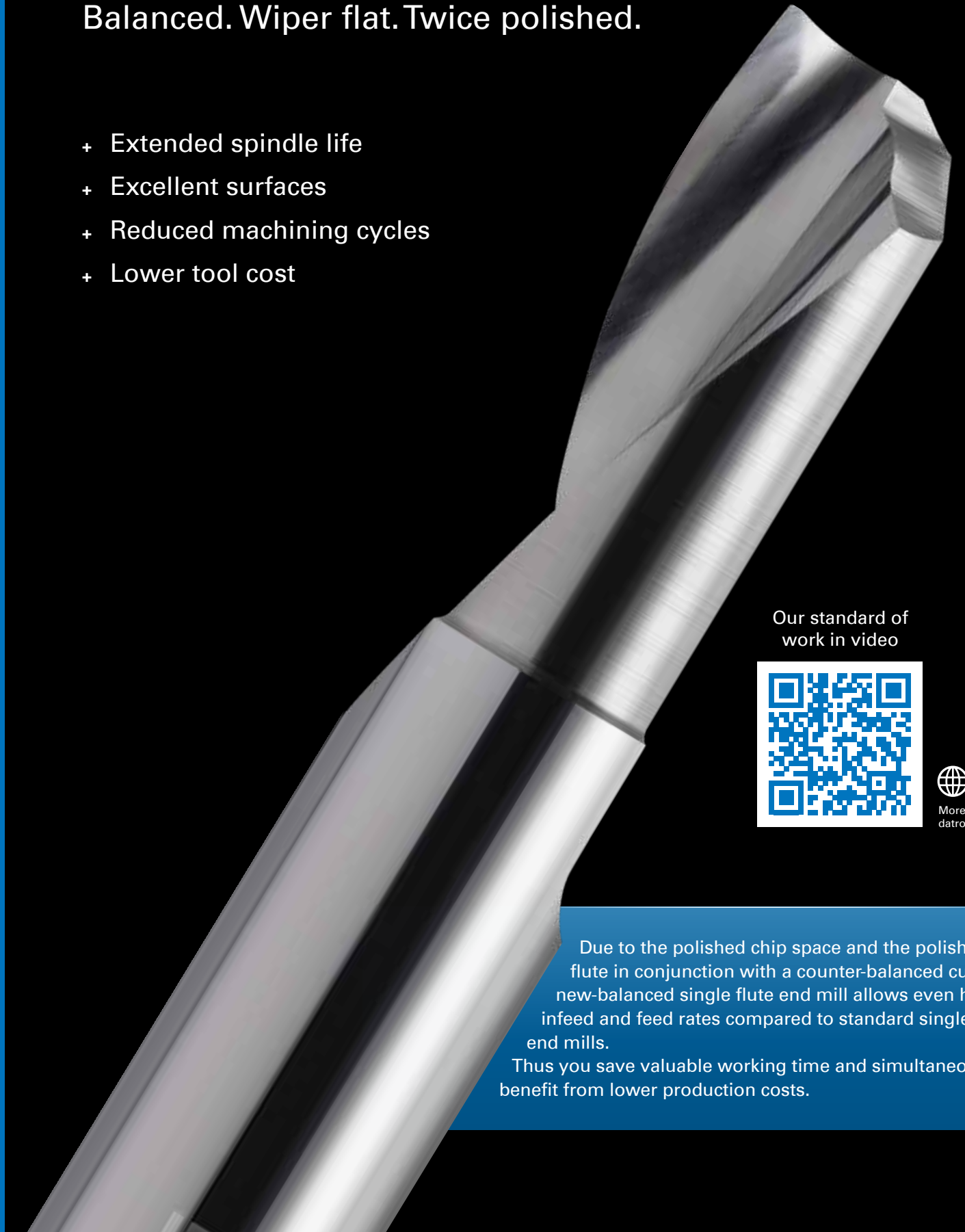
Or by Fax: +49 (0)6151-1419-39

DATRON
Smart Manufacturing Solutions

THE 4-IN-1 SINGLE FLUTE END MILL

Balanced. Wiper flat. Twice polished.

- + Extended spindle life
- + Excellent surfaces
- + Reduced machining cycles
- + Lower tool cost



Our standard of work in video



More Information:
datron.de/4-in-1

Due to the polished chip space and the polished flute in conjunction with a counter-balanced cut, our new-balanced single flute end mill allows even higher infeed and feed rates compared to standard single flute end mills. Thus you save valuable working time and simultaneously benefit from lower production costs.

© 2019 DATRON AG - All rights reserved, as of: November 2019
liability-exclusion.datron.de

DATRON AG
In den Gänsäckern 5
64367 Mühlthal, Germany

+49 (0)6151-1419-0
info@datron.de
www.datron.de

DATRON_4-in-1_Prospekt_191119_EN_V2.0

YOUR PRODUCT ADVANTAGES AT A GLANCE

Wiper flat for excellent floor surfaces

Optimised and polished chip channel for fast and efficient chip removal

Polished end mill for excellent surface quality

Patented balanced tool tip for maximum smoothness and low-vibration work

DRILLING



Special nose cut allows dipping into solid materials and high Z-feeds during helix machining.

WALL SURFACE



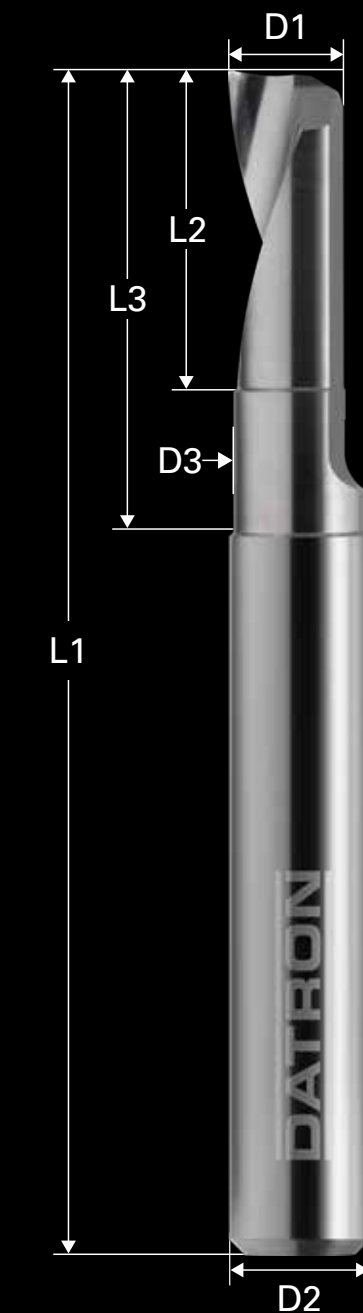
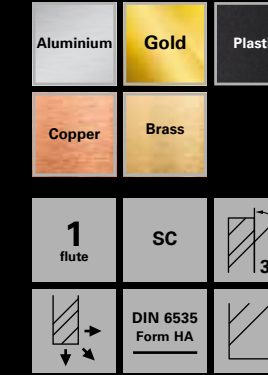
Polished chip channel and optimised balanced cut to achieve optimal results on the wall surface.

FLOOR AREA



The new nose geometry allows an optimal floor surface with low roughness values.

A SOLUTION WITH MORE THAN 30 VARIANTS



Art. No.	D1	D2	D3	L1	L2	L3
0068803A	3	6	x	40	5	5
0068803K	3	6	x	45	9	9
0068803E	3	6	2.8	50	9	13
0068803L	3	6	2.8	50	9	16
0068803X	3	6	x	50	13	13
0068804A	4	6	x	40	5	5
0068804K	4	6	x	45	9	9
0068804E	4	6	3.7	50	9	16
0068804L	4	6	3.7	55	9	21
0068804X	4	6	x	55	16	16
0068805A	5	6	x	45	7	7
0068805K	5	6	x	50	11	11
0068805E	5	6	4.6	60	11	21
0068805L	5	6	4.6	60	11	26
0068805X	5	6	x	55	16	16
0068806A	6	6	x	45	7	7
0068806K	6	6	x	50	13	13
0068806E	6	6	5.5	60	13	26
0068806L	6	6	5.5	65	13	31
0068806X	6	6	x	55	21	21
0068808A	8	8	x	45	9	9
0068808K	8	8	x	55	17	17
0068808E	8	8	7.4	65	17	31
0068808L	8	8	7.4	75	17	41
0068808X	8	8	x	65	26	26
0068810A	10	10	x	50	11	11
0068810K	10	10	x	60	21	21
0068810E	10	10	9.2	75	21	41
0068810L	10	10	9.2	85	21	51
0068810X	10	10	x	70	32	32
0068812A	12	12	x	55	14	14
0068812K	12	12	x	65	26	26
0068812E	12	12	11	85	26	51
0068812L	12	12	11	95	26	61
0068812X	12	12	x	75	36	36

Patented multi-talent: Indispensable for your cost-effective production

- + The patented balanced tool tip reduces vibrations, thus protects the spindle of your milling machine
- + High balancing quality for maximum speed
- + Best possible surface roughness (<1Rz) thanks to optimal nose geometry
- + Polished chip chamber for fast chip removal and lower spindle load
- + Polished flute for long durability and fewer tool changes
- + Innovative grinding technology for excellent machining results in full and partial cuts

