

We are glad to provide you with detailed information:
+49 (0) 6151-1419-0

by E-Mail:
info@datron.de

or online at:
www.datron.de

DATRON neo

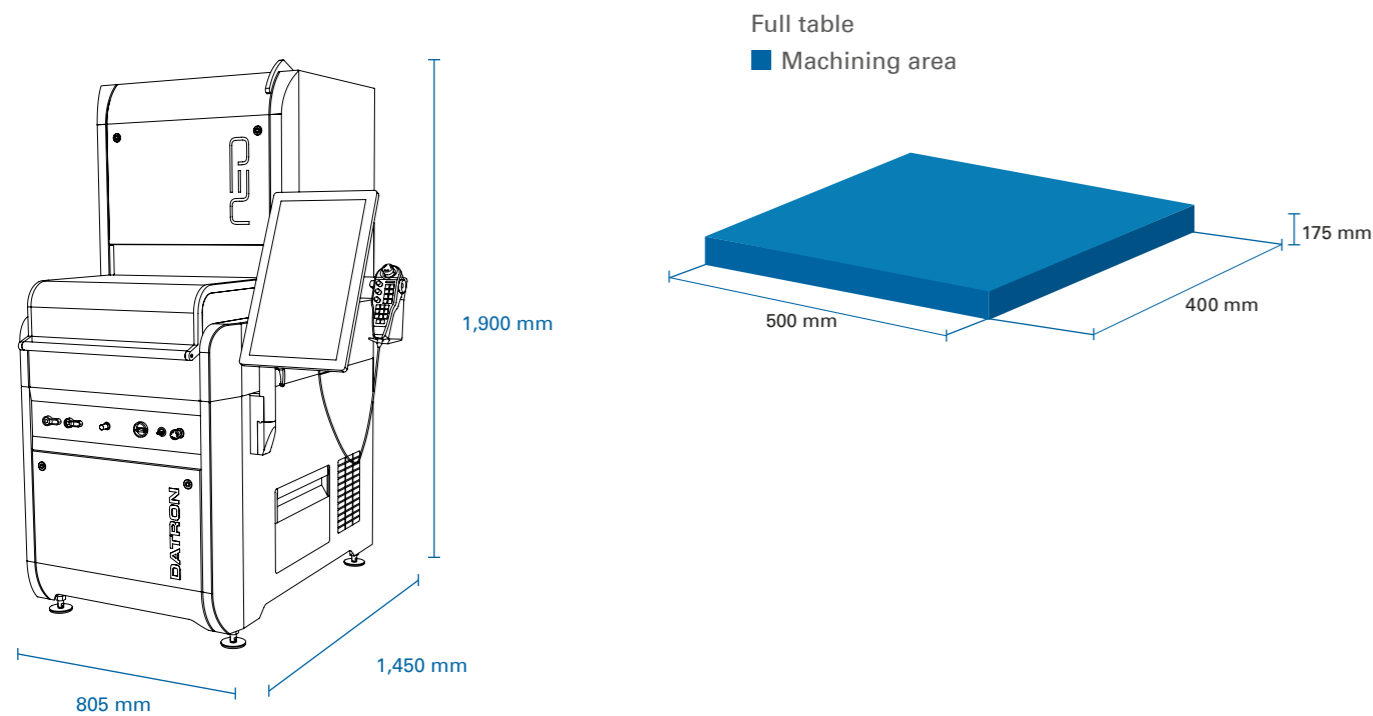
The DATRON neo is setting new standards in terms of quality, process reliability and user-friendliness. With the proven plug & play principle and the intuitive DATRON next software, users can work productively straight away, regardless of their level of experience. The excellent access to the work area makes it very easy to load and set up workpieces. Thanks to the integrated camera and the DATRON 3D probe, workpiece set-up is unmatched in terms of simplicity, speed and precision. The DATRON neo impresses with its high performance and dynamics while remaining extremely compact and versatile.



DATRON_DATRON_neo_FL_2024_EN

DATRON AG +49(0)6151-1419-0
In den Gänsäckern 5 info@datron.de
64367 Mühlthal, Germany www.datron.de

Technical Data



Use QR code for more information



	DATRON neo	DATRON neo+	DATRON neo+ LS
Traverse path (XxYxZ)	520 mm x 420 mm x 220 mm		
Working area (XxYxZ)	500 mm x 400 mm x 175 mm (Z = portal passage)		
Machining spindle	2.0 kW HF spindle; up to 40,000 rpm, direct shank		
Tool magazine	24 stations with direct-shank tool holding fixture and integrated tool length probe		
Machining table	Portal construction UHPC, mineral-cast machine bed, aluminium table, steel stand		
Control system/software	DATRON next		
Operating terminal	24" multi-touch screen with user-friendly hand-held control unit		
Component measurement	DATRON 3D probe		
Rotary axis	DATRON Axis4 (optional)		
Minimum-quantity cooling lubrication system	5 or 10 liters coolant tank		
Drive system	Brushless digital servo drives; directly driven ball-screw spindle drives for each axis		
Linear absolute encoders	-	-	All axes
Positioning feed	Up to 18 m/min	Up to 28 m/min	Up to 28 m/min
Feed	Up to 18 m/min	Up to 28 m/min	Up to 28 m/min
Installation dimensions without operating terminal (WxDxH)	805 mm x 1,450 mm x 1,900 mm		
Weight	Approx. 740 kg		

Highlights

Revised Cabin Design

- With integrated status light for better monitoring of the machine status
- Optimized accessibility by placing the main switch at the front
- Improved layout of the control elements
- Newly designed vacuum handle makes operation easier



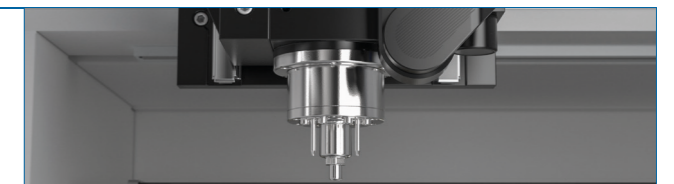
DATRON next Monitoring Package

- Digital display for operating status, pressure and vacuum monitoring
- Threshold value for vacuum can be adjusted individually and directly



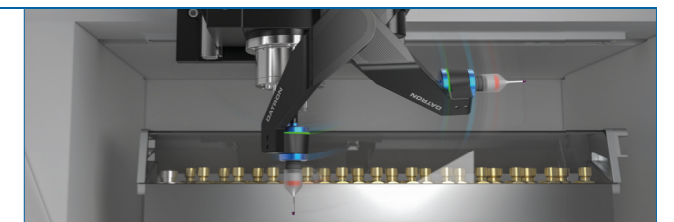
High-Frequency Spindle and Cooling Unit

- With newly adjusted bearings and compressor cooling unit



DATRON 3D probe

- Precise measurements and robust behavior for improved workpiece quality
- More resistant to external influences



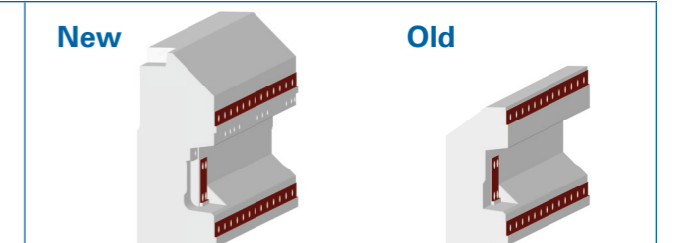
Updated Chip Management

- Revised tool magazine with improved seal included in standard version
- Additional chip guide plates and sealing elements



UHPC Portal

- Innovative portal made of UHPC (doubling the cross-sectional area)
- Increased static rigidity and effective reduction of vibrations



Large Coolant Tank

- Filling quantities selectable between 5 or 10 liters
- Tank with integrated level switch
- 90° swivel mechanism for easy filling

